
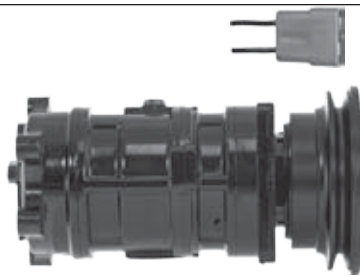
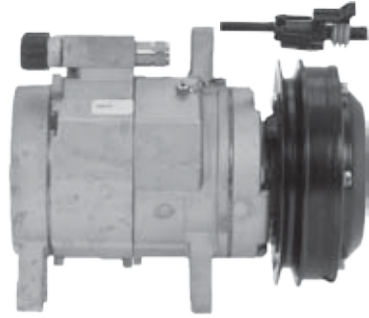
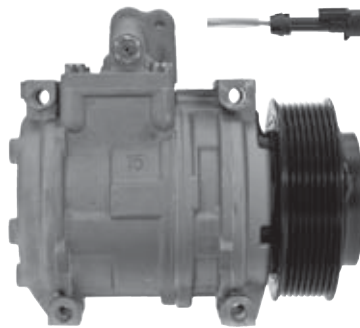
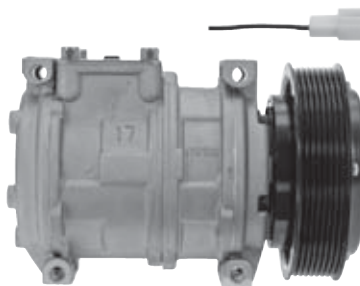

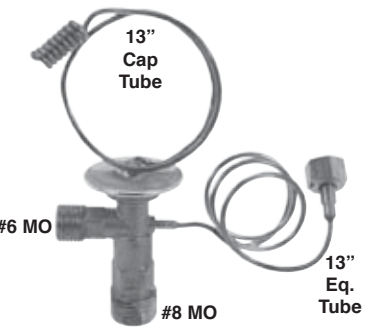


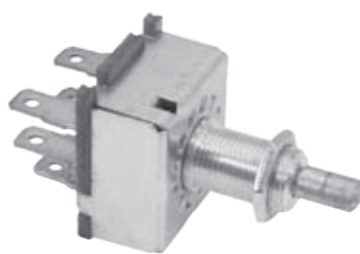

 <p><b>150-3509</b> Blower Motor OE# RE223623</p>	 <p><b>300-3602</b> A6 Comp OE# SE501457, TY6665, TY6770</p>	 <p><b>300-3608</b> (A6 Replacement) OE# SE501457, TY6665, TY6770</p>	 <p><b>300-3800</b> Compressor OE# TY6626, TY6766, RE12513</p>
 <p><b>300-3820</b> Compressor OE# AH169875</p>	 <p><b>300-3847</b> Compressor OE# AL155836</p>	 <p><b>325-8200</b> Denso Dust Cover Deep Dish Type</p>	 <p><b>450-6802</b> Expansion Valve OE# AH140818</p>
 <p><b>825-5176</b> Receiver Drier OE# AT125596, AT151981, AT162848</p>	 <p><b>825-5404</b> Receiver Drier OE# AL77581, RE49169</p>	 <p><b>850-6902</b> Blower Switch OE# AR82014</p>	 <p><b>850-9230</b> Thermostat OE# AR59779</p>



***A/C Parts and Units  
For light to heavy-duty trucks,  
off-road, and ag***